



**For Security**  
**Vari-Focal**

# YV2.7×2.9LA-SA2

Applicable camera (model)

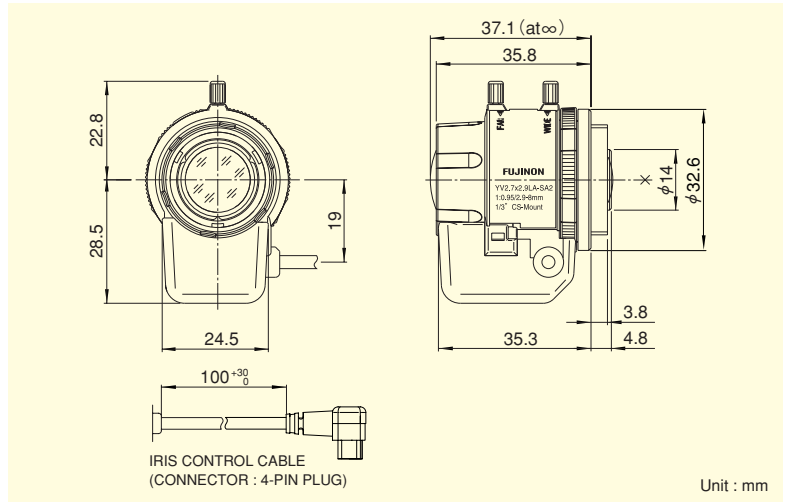
1	2/3	1/2	1/3	1/4
---	-----	-----	-----	-----

<b>VARI</b> Vari-Focal	<b>WIDE</b> Wide Angle	<b>DC</b> DC Auto Iris	<b>CS-mt</b> CS Mount	<b>METAL</b> Metal Mount	<b>ND</b> ND Filter	<b>230</b> Long Cable
					<b>AT</b> Aspherical Lens	<b>F0.95</b> Wide Aperture Rate

2.7×

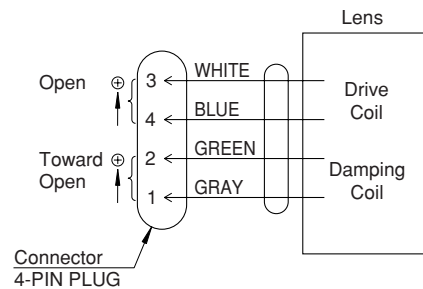


- Unparalleled brightness at the maximum aperture of F0.95, optimizing the performance at low lighting intensity.
- Super wide angle spec, WIDE2.9mm, achieving the horizontal field angle of 93 degrees (when used on 1/3 cameras).
- Compact and lightweight design, best suited for the use with dome cameras.
- High accuracy aspheric lens adopted, achieving the high quality image.
- Built-in ND filter of T360, supporting high sensitivity cameras.



Focal Length (mm)		2.9~8 (2.7×)	
Iris Range		F0.95 ~ T360 (Equivalent to F360)	
Operation	Zoom	Manual	
	Focus	Manual	
	Iris	Auto (DC Type) (*1)	
Angle Of View (H×V)	1/3"	WIDE	93°34' × 68°46'
		TELE	34°53' × 26°09'
	1/4"	WIDE	68°42' × 51°12'
		TELE	26°06' × 19°36'
Focusing Range (From Front Of The Lens) (m)		∞ ~ 0.3	
Object Dimensions at M.O.D. (H×V) (mm)	1/3"	WIDE	650 × 422
		TELE	194 × 143
	1/4"	WIDE	488 × 317
		TELE	146 × 107
Back Focal Distance (in air) (mm)		7.7	
Exit Pupil Position (From Image Plane) (mm)		62	
Filter Thread (mm)		—	
Mount		CS	
Mass (g)		45	
Coil Resistance		Drive Coil	200Ω
		Damping Coil	720Ω
Current Consumption		22mA (Max.) at DC 4V	
Remarks		• With Metal Mount (*1) When power is turned off, iris will automatically be closed. YV2.7×2.9LA-SA2L : Long Cable Type (230mm)	

## Wiring



White version matching the camera design  
YV2.7×2.9LA-SA4

VARI-FOCAL LENSES